



World-Class Instrumentation for the Global Vehicle Marketplace

# UIP-CD

## Universal Instrument Panel - Color Display

### FEATURES

- 4.3-inch WQVGA LCD color display
- Operating temperature: -40°C to +85°C
- Anti-fog coating (J1810)
- CAN J1939 communications
- Real time clock with timekeeping backup
- Internal alarm, multiple sounds
- +9 to +32 VDC operating voltage
- 4 dimmable LED dedicated icons
- 3 button interface with soft keys
- 7 configurable inputs, STB/STG
- 13 switch to ground inputs
- 6 analog inputs
- 3 switch to ground outputs
- Up to 7 stepper motor driven gauges
- 1 DEF LED bargraph
- English/metric configurable
- 4 telltales monitored to Cummins AEB 15.110



**AMETEK VIS'** UIP-CD is part of the Universal Instrument Panel family of clusters that can satisfy the instrumentation requirements for in-cab vehicle platforms. Easily customize the gauges, telltales and display to fit your application with minimal cost and time.

The large, easy-to-read color graphics display provides real time data information, diagnostics, fault codes, user set up features, and maintenance requirements. There are up to eight gauges, twenty LED telltales, with four of the LED telltales dimmable for night time driving.

One of the eight gauges is a bargraph gauge with four progressive bars that can satisfy the requirements of a DEF gauge. The lowest bar can be changed from green to amber to red at customer specified values to alert the operator of critically low conditions.

The speedometer gauge will automatically backlight either the major scale or minor scale depending on whether English or Metric is selected in the menu.

UIP-CD features an internal alarm with multiple sounds that can be configured for various alarm conditions. Five of the gauges also have warning LEDs to alert the operator of existing conditions.

UIP-CD is sealed to IP53 specifications for in-cab applications. The cluster features an anti-fog coating to meet J1810 fogging requirements. The display meets all SAE J1113 requirements for vehicular instrumentation.



VEHICULAR INSTRUMENTATION SYSTEMS

287 27 Road, Grand Junction, CO 81503 U.S.A. • Phone: +1 970-242-8863 • Fax: +1 970-245-6267  
 Web: [www.ametekvis.com](http://www.ametekvis.com) • E-mail: [info.vis@ametek.com](mailto:info.vis@ametek.com)

## SPECIFICATIONS

### Physical Characteristics

4.3-inch LCD color display, 1000 cd/m<sup>2</sup>  
WQVGA, 480 x 272

Connector type:

Tyco 16 positions (2x8): 175966-2  
Tyco 20 positions (2x10): 175967-2

Sealed to IP53

Anti-fog coating, meets J1810 fogging requirements

3 pushbutton switches

20 LED icons

Up to 7 stepper motor driven gauges

1 LED DEF bargraph gauge

### Environmental Characteristics

Temperature, humidity, shock, vibration, and salt spray: meets or exceeds  
SAE #J1455-2012-08

Operational temperature: -40°C to +85°C

Storage temperature: -40°C to +85°C

### Electrical Inputs

Battery/ignition: 9 to 32 volts

7 configurable STB/STG Inputs

13 switch to ground inputs

6 analog inputs, resistive, or 0 to +5 VDC

### Electrical Outputs

3 switch to ground: 1 amp max

Aux 5V, 100mA output

### Electrical Characteristics

Operating limits: 9 to 32 VDC, reverse polarity protected

Operating current: 800mA max

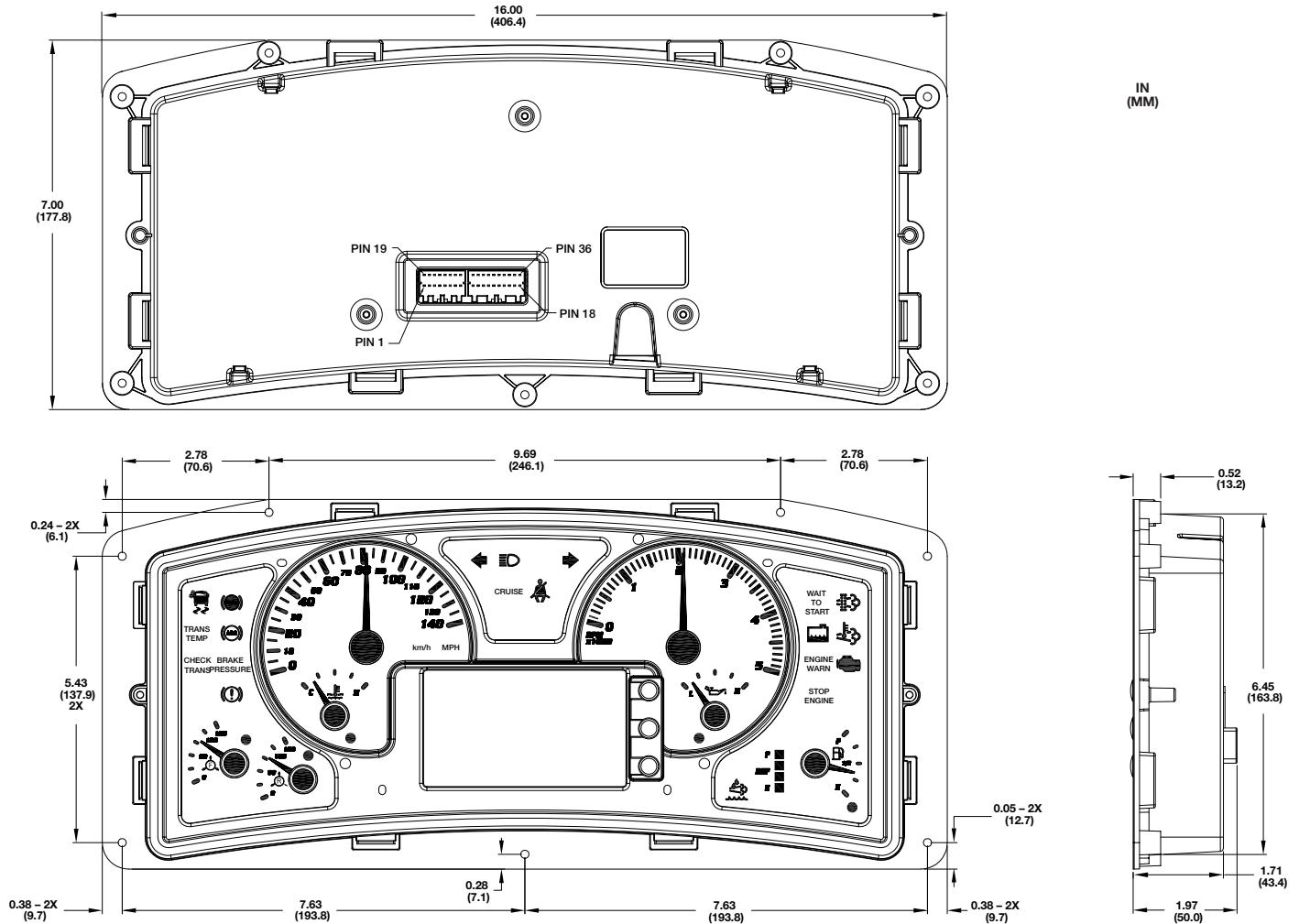
Transient protection: meets or exceeds SAE #J1113/11 test pulses for  
12/24V systems

ESD protected to ±15kV

### Communication Ports

1 CAN 2.0B (J1939 standard)

## DIMENSIONS



### VEHICULAR INSTRUMENTATION SYSTEMS

287 27 Road, Grand Junction, CO 81503 U.S.A. • Phone: +1 970-242-8863 • Fax: +1 970-245-6267

Web: [www.ametekvis.com](http://www.ametekvis.com) • E-mail: [info.vis@ametek.com](mailto:info.vis@ametek.com)