



BB202 Programmable Bargraph

(Class III-Commercial/Industrial Grade)

A METEK Dixon “PRO” (PROgrammable) Series bargraphs are the preferred choice for new applications, or for replacement of switchboard meters, other common size indicators, and set point controllers. The “PRO” Series is feature-enhanced, and options are available to solve most common application problems. These models are easily configurable for maximum flexibility. Nuclear-qualified versions are also available (see data sheet P/N 071-40216).

Application

AMETEK Dixon bargraphs are appropriate in any application where moving pointer meters have been used in the past, and in applications where greater accuracy, readability, and reliability are desirable. Signal sensitivities span ANSI C39.1 ranges, all conventional current loops, and voltage control signals. The instruments are suitable for local or remote, primary or redundant system indication.

The BB202P enclosure is form-factor compatible with standard, 6-inch edgewise switchboard instruments and is a direct replacement for the GE/Yokogawa 180, International Sigma Model 1151/1251, Westinghouse/Weschler VX252, and the

Modutech and Crompton 6-inch meters. This simplifies retrofit into existing systems without panel modifications.

For control applications, the optional set point relay module provides on/off and differential gap control and annunciation using three set points. The optional digital display reads to 10 percent over- and underrange.

User-programmability provides maximum versatility and minimizes the need for spares. A solid-state design with no moving parts yields a highly reliable product, especially under conditions of shock, vibration, dust and moisture, making the “PRO” Series the ideal choice for your application.

Features

- Brilliant red LED display for excellent visibility
- Minimum 88,000-hour MTBF
- Rugged—high resistance to vibration and shock
- Microprocessor-based design
- Programmable configuration using PC serial link
- Input signal ranges switch-selectable
- Auto-calibration algorithm
- Linearization of input signals
- Universal 6-inch rectilinear form interchangeable with all major manufacturers and panel cutouts
- Vertical or horizontal mounting

- Front panel mounting
- Underrange/overrange indication
- Modular design for flexibility and options

Options

- Digital display with true minus sign
- Green or amber LEDs
- On/off control using three set point relays
- NEMA-4 cover

BB202P Specifications

Note: for ISA S67.04 and RP67.04 Part II, consult factory for models and assistance.

PHYSICAL CHARACTERISTICS

Number of segments in each bargraph channel 101
Resolution 1%

ENCLOSURE MATERIAL Non-glare black Noryl or ABS case complying with UL94 V-0 or V-1

DIGITAL DISPLAY OPTION

(-) 9999 to 9999
Number of digits in each digital display 4
Resolution 0.01% ± 1 count*

ENVIRONMENTAL CHARACTERISTICS

Operating temperature range (MIL-E16400G, Class 4) 0 to +60° C
Storage temperature range -40 to +85° C

POWER REQUIREMENTS

Either 115/230 VAC at 50, 60, 400 Hz or 5, 12, 24 or 48 VDC

Line regulation ±10%
Power consumption (typical, depends upon options) 7 VA

SENSITIVITY RANGES (Reference ANSI C39.1 Std. Sensitivities)

STANDARD FULL SCALE INPUTS FROM ZERO (DIP-switch selectable):

DC currents 500 µA to 50 mA
DC voltages 1 V to 250 V

OPTIONAL FULL SCALE INPUTS FROM ZERO

DC currents – factory configured 50 µA to 250 mA

Plug-in modules:

DC voltages 50 mV to <1000 mV
AC currents 1 mA to 1000 mA; 5 A
AC voltages 250 mV to 250 V

DC INPUT PARAMETERS

Linearity 0.02% of span ± 1 count*
Accuracy 0.04% of span ± 1 count*†
Zero stability <0.01% per °C
Gain stability <0.02% per °C
Input impedance:
For voltage inputs >200 k ohms
For 4 to 20 mA DC current inputs 100-ohm compliance resistor
For 10 to 50 mA DC current inputs 40-ohm compliance resistor
For all other current inputs Consult factory
Response time (typical) 175 ms
Overload (signal) 200% or 250 VDC maximum

AC INPUT PARAMETERS (true RMS-reading)

Linearity 0.4% of span **
Accuracy 0.5% of span **
Zero stability <0.04% per °C
Gain stability <0.04% per °C
Input impedance for voltage inputs >200 k ohms
Response time (typical) 325 ms
Overload (signal) 200% or 250 VAC maximum

SET POINT OPTION (internal module)

Standard set points LO and HI
Configurable alarm HI/HI (default) or LO/LO
Setability 0.1%
Hysteresis 1.0%
Relay response time (typical):
For DC inputs 350 ms
For AC inputs 650 ms
Relay contact ratings (three Form C): 0.4 A at 125 VAC
2 A at 30 VDC

LINEARIZATION

⁸th-order polynomial (nine terms). Refer to "PRO" Series Interface Kit.

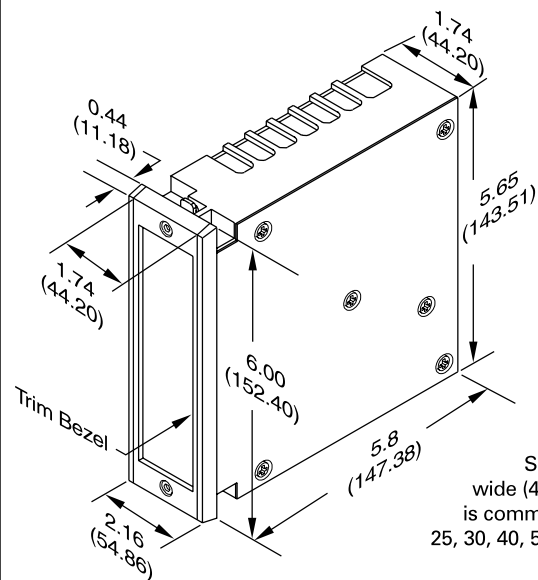
* 1 count is defined as a ± unit value change of the right-most digit.

† Call factory for square root input accuracy information.

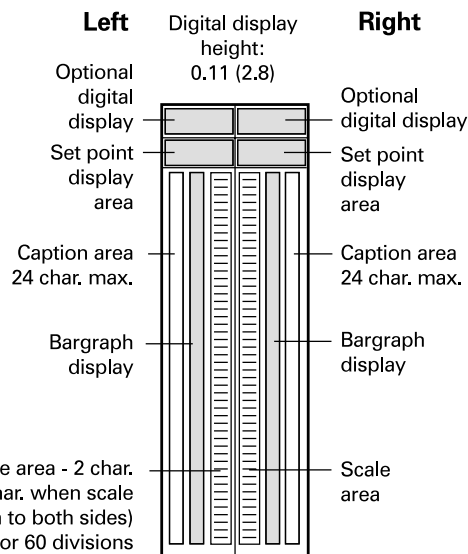
** Except for first 5% of span.

BB202P Dimensions

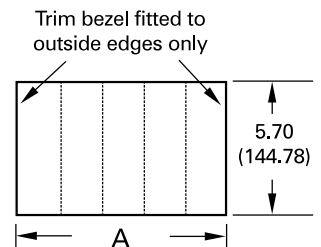
Dimensions given in inches
(metric in parentheses)



Artwork Guidelines



Panel Cutout Dimensions



Dimension "A"	+0.03 -0.00	+0.76 -0.00
# Units	Inches	mm
1	1.77	44.96
2	3.52	89.41
3	5.26	133.60
4	6.99	177.55
5	8.73	221.74