



World-Class Instrumentation for the Global Vehicle Marketplace

C-COM 3AD CAN-Communicator

3-inch Analog Gauge with Display

FEATURES

- Direct J1939 CAN communication
- Available as a GPS speedometer
- Multi-function alphanumeric display
- Heavy-duty stepper motor drive
- Backlighting controllable with either CAN bus or PWM input
- Sealed to IP67 specifications front and rear
- Gauge mounting – screw-on clamp
- 9 to 32 volt operation
- Configurable input for pulsed speed or RPM, or as USB
- Configurable inputs for analog or resistive
- One switch-to-ground input
- Two optional LED telltale indicators
- Optional buttons
- Flat or domed lens

APPLICATIONS

- Heavy trucks
- Buses, coaches and recreational vehicles
- Golf carts
- Military vehicles
- Forklifts, wheel loaders and skid steers
- Cranes, road-building and construction equipment
- Earth-moving and mining vehicles
- Utility and emergency vehicles
- Farm and agricultural vehicles
- Stationary engine instrumentation



AMETEK VIS' C-COM 3AD gauge is a highly versatile stand alone gauge, as part of the CAN-Communicator family of products, that can satisfy the instrumentation requirements for all vehicle platforms.

The C-COM 3AD is a direct J1939 CAN gauge with a 13-segment, 7-digit alphanumeric LCD to display driver information such as odometer, hourmeter, coolant temperature or even fuel level. With the optional external buttons, the menu system expands to also include additional vehicle data, two resettable trip mileage and hours, diagnostic fault codes and warning messages.

The C-COM 3AD is designed to accept a pulsed input for speed or RPM information. It can also obtain speed information from a GPS receiver on the USB input. As a GPS speedometer, using a NMEA-0183 GPS receiver, the C-COM 3AD will provide road speed for vehicles without wheel or drive train sensors. The LCD display can be set up to display the heading in cardinal direction, degrees or both.

Two optional dead-fronted LED telltale indicators can be customized per application. The LEDs can be controlled by switched inputs or J1939 data bus.

The gauge is sealed to IP67 specifications both front and rear. C-COM 3AD operates from 9 to 32 volts DC and includes multi-option inputs that can be used for resistive, analog, pulsed speed or USB inputs.

Designed to withstand harsh conditions typical of off-road environments, the 3AD gauge meets all SAE J1455 and J1113 requirements for vehicular instrumentation.



VEHICULAR INSTRUMENTATION SYSTEMS

287 27 Road, Grand Junction, CO 81503 U.S.A. • Phone: +1 970-242-8863 • Fax: +1 970-245-6267
Web: www.ametekvis.com • E-mail: info.vis@ametek.com

SPECIFICATIONS

Physical Characteristics

Housing material: white polycarbonate ABS plastic
 Connectors: single Deutsch DT06, polarized and locking

Environmental Characteristics

Temperature, humidity, shock, vibration, and salt spray: meets or exceeds SAE #J1455-1994-08
 Operational temperature: -40°C to +85°C

Electrical Characteristics

Operating limits: 9 to 32 VDC, reverse polarity protected
 Transient protection: meets or exceeds SAE #J1455-1994-08

Electrical Inputs

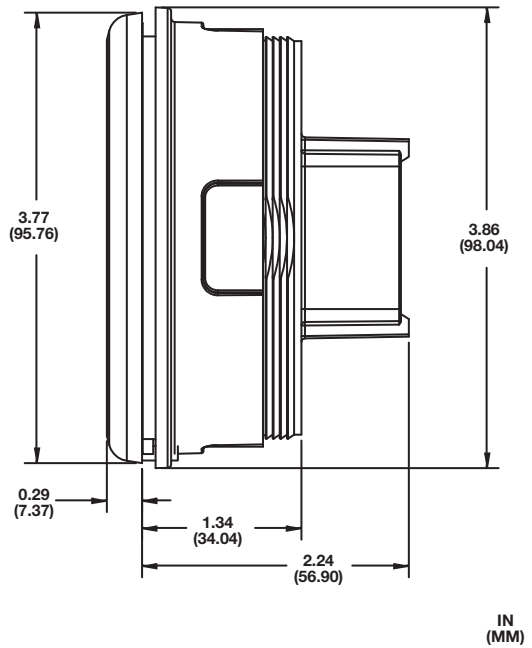
Battery/ignition: 9 to 32 volts
 Operating current: 0.25 amperes maximum
 Backlighting: variable through dashlight dimmer control or J1939 CAN message
 Inputs – 4 configurable:
 1 pulse input or USB for GPS receiver, NMEA-0183
 3 analog, switch to battery, or switch to ground
 Data bus: 1 SAE J1939 CAN Electrical Characteristics

**3AD Electrical Connections
 12 Pin Deutsch**

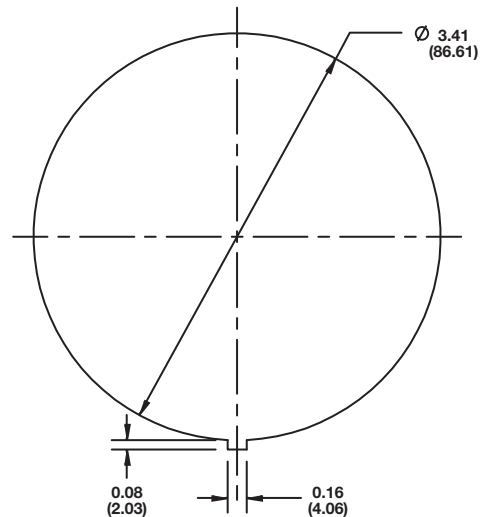
PIN	FUNCTION
1	CAN (-)
2	CAN (+)
3	Signal (+), USBDP, Analog/STB/STG #4
4	Signal (-), USBDN
5	Ground (-)
6	VBATT (+)
7	Backlight (+)
8	Ignition (+)
9	USB-V
10	Analog/STB/STG #1
11	Analog/STB/STG #2
12	Analog/STB/STG #3

DIMENSIONS

GAUGE DIMENSIONS



PANEL CUT-OUT DIMENSIONS



VEHICULAR INSTRUMENTATION SYSTEMS

287 27 Road, Grand Junction, CO 81503 U.S.A. • Phone: +1 970-242-8863 • Fax: +1 970-245-6267
 Web: www.ametekvis.com • E-mail: info.vis@ametek.com